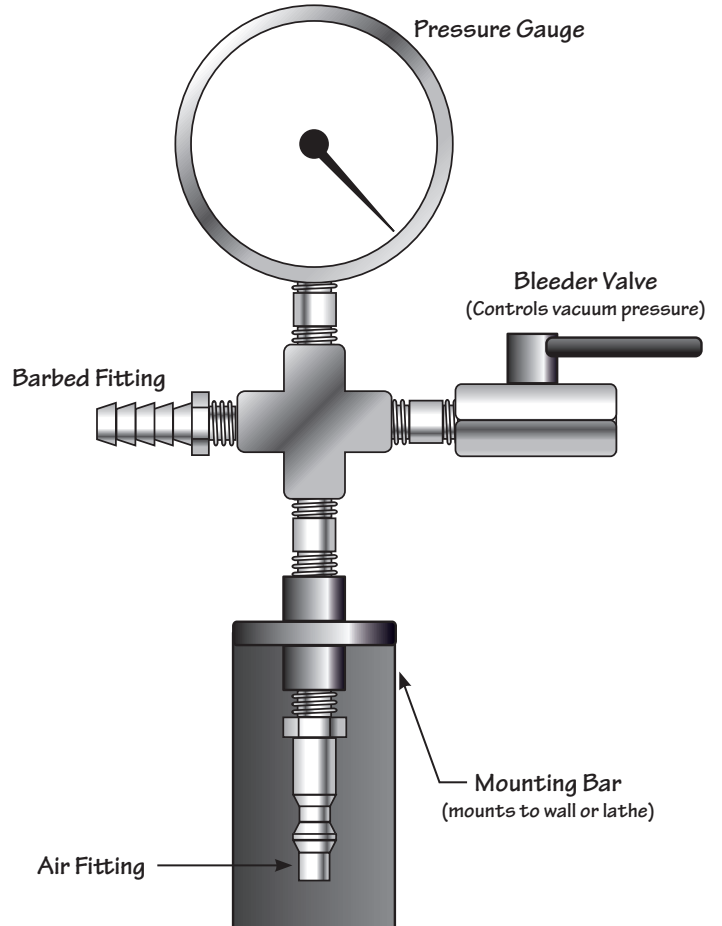
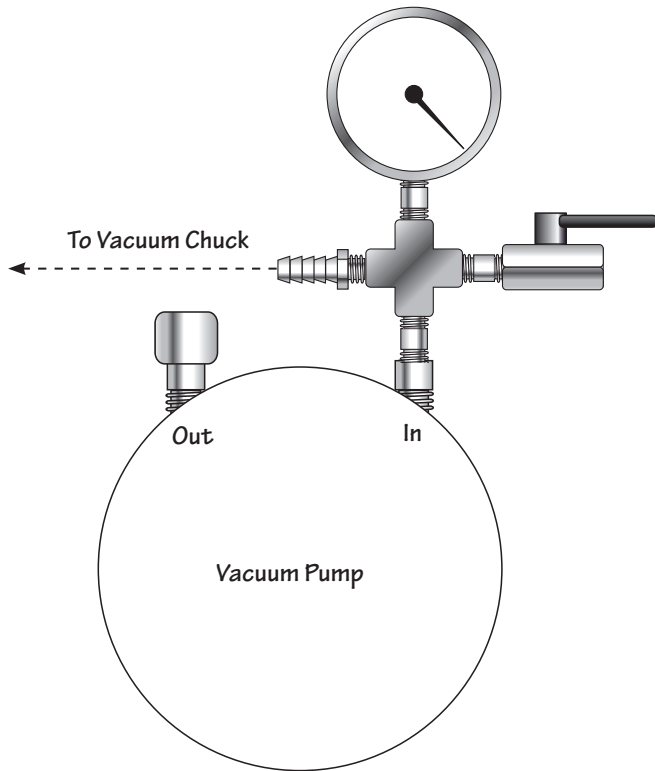


## Vacuum Gauge

### Installing on Pump

1. Remove the hose and fitting from the vacuum pump.
2. Install the gauge into the vacuum pump where the hose and fitting were removed.
3. Connect a hose from the "barbed" fitting on the gauge to the vacuum chuck.



### Installing on Pump

1. Remove the hose and fitting from the vacuum pump.
2. Install the gauge into the vacuum pump where the hose and fitting were removed.

