

Turning a Bookmark

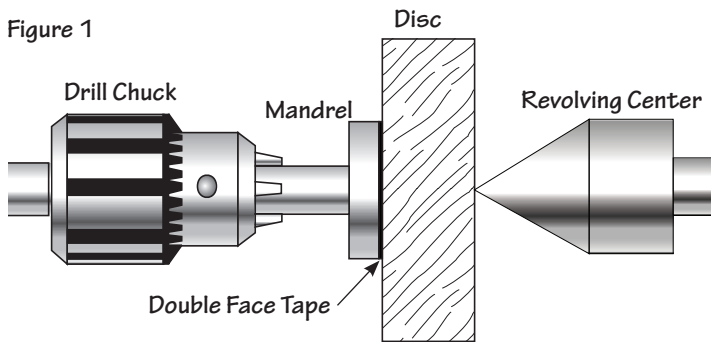
Supplies Needed

- Revolving Center
- Blank
- Drill Chuck
- Bookmark Mandrel
- Double Face Tape
- Sandpaper/Finish
- Eye and Ear Protection

Cutting and Drilling the Blank

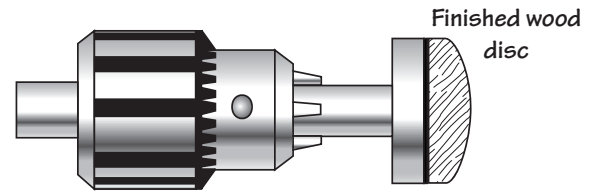
1. Cut the wood disc about 1/4" larger than the mandrel diameter.
2. Make sure the back of the disc to be turned is flat and dust free.
3. Place the drill chuck into the headstock of the lathe and grip the mandrel with the drill chuck.
4. Tape the face of the mandrel with double faced tape and attach the flattened disc to the double face tape.
5. Advance the live center against the disc. (see figure 1) This pressure will strengthen the bond of the tape during the rough turning of the disc.

Figure 1



6. Remove the live center after the rough turning is completed. (see figure 2)

Figure 2



7. Finish turning, sand and finish the disc.
8. When removing the disc, wedge a wood chisel between the disc and the mandrel. Use slow, steady pressure and the tape will begin to stretch then let go.
9. Sand or clean the back of the finished disc to insure a good glue joint.
10. Glue the disc to the surface of the project with a flexible adhesive.