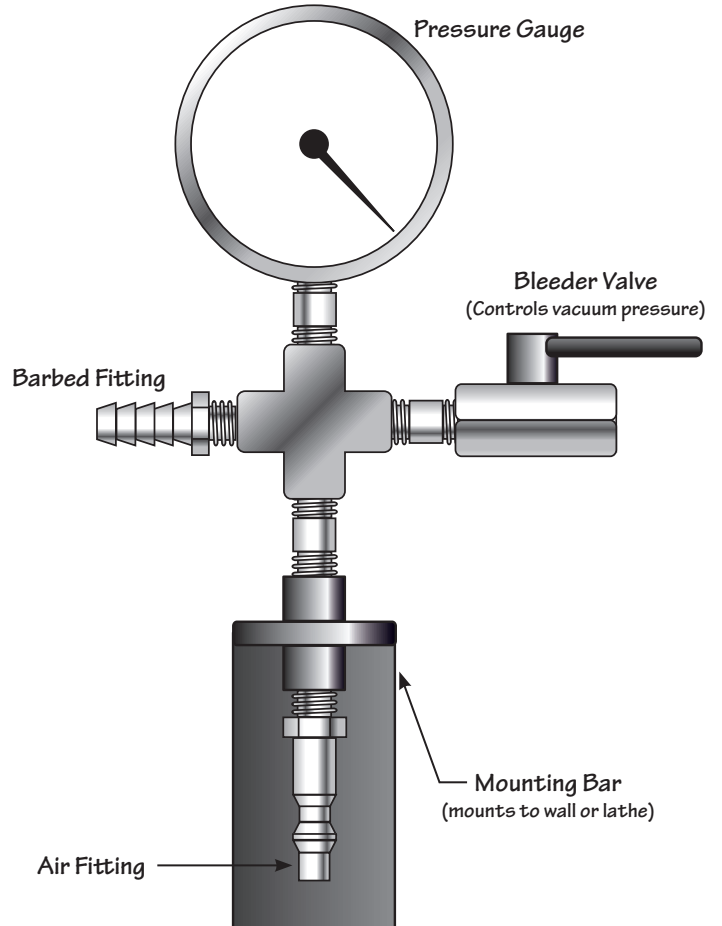
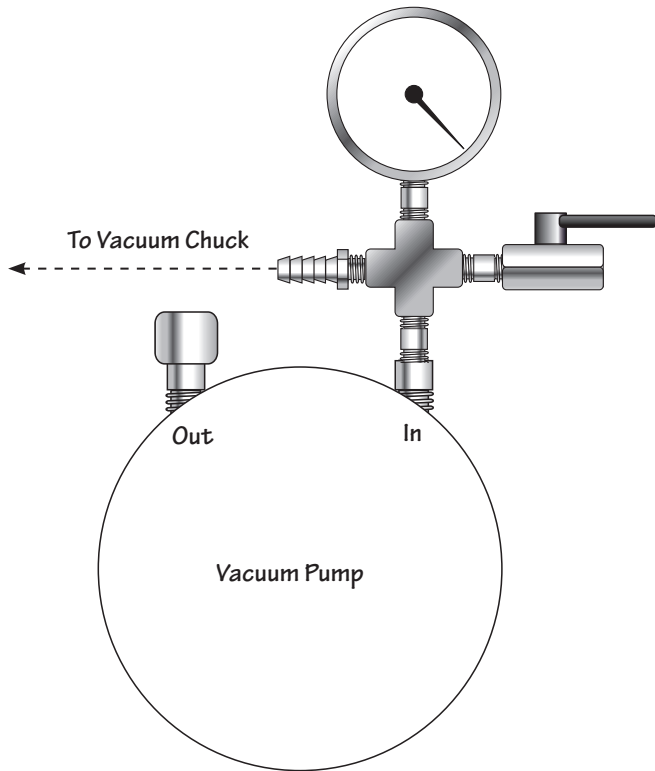


Vacuum Gauge

Installing on Pump

1. Remove the hose and fitting from the vacuum pump.
2. Install the gauge into the vacuum pump where the hose and fitting were removed.
3. Connect a hose from the "barbed" fitting on the gauge to the vacuum chuck.



Installing on Pump

1. Remove the hose and fitting from the vacuum pump.
2. Install the gauge into the vacuum pump where the hose and fitting were removed.

