

## Turning a Finish Jar Kit

### Supplies Needed

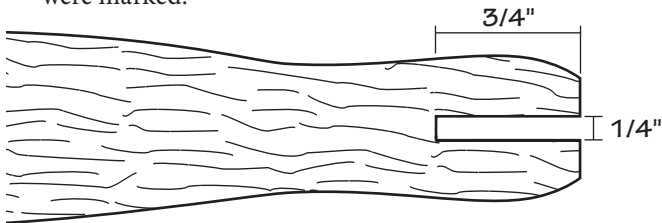
- 1/8" Drill Bit
- 1" x 6" Blank
- Screwdriver
- Glue (Thick CA or Epoxy)
- Sandpaper/Finish
- Eye and Ear Protection

### Turning and Assembly

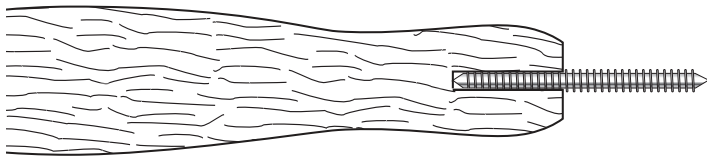
1. Turn the brush handle blank to your desired shape. Part one end off square to fit up against the jar lid.



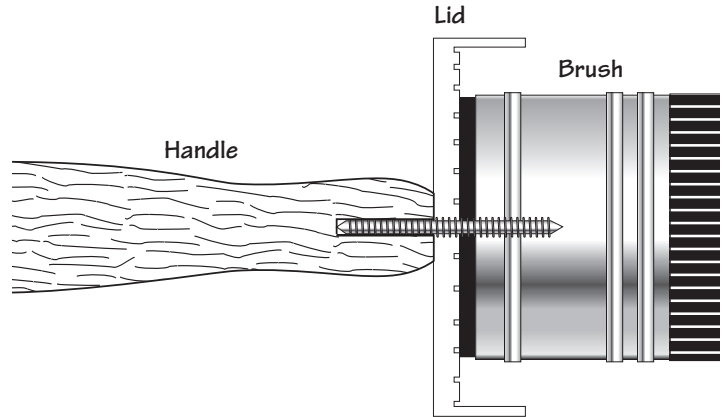
2. Mark the center point on the end of the brush and handle.
3. Drill a 1/8" diameter hole about 3/4" deep where the pieces were marked.



4. Drive the screw about half way into the handle piece.
5. Grind the head of the screw off, leaving the end pointed and tapered.



6. Find the center of the lid and drill an 1/8" hole through the lid.
7. Put the handle over the hole and push the screw through the hole.
8. Screw the bristle end of the brush onto the screw, and tighten securely.



9. The assembly will look best if the two parts line up, giving the appearance of a complete brush sticking through the lid.